

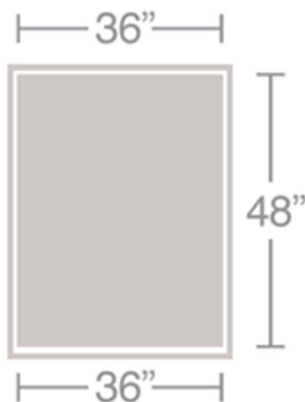


DURA-BENCH ULTRA Bench Layouts

Combining Dura-Bench Ultra 36"x48" and 24"x48" panels allows you flexibility to build tables of various widths. Additionally, Dura-Bench Ultra panels are designed with a double-ridged center support, allowing you to easily cut the panels in half for the construction of non-traditional bench sizes.

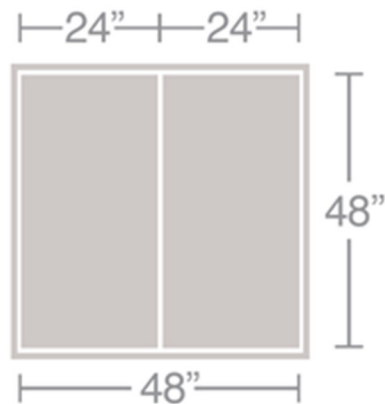
3' Wide Bench

(1) 36"x48" Panel, Single Panel



4' Wide Bench

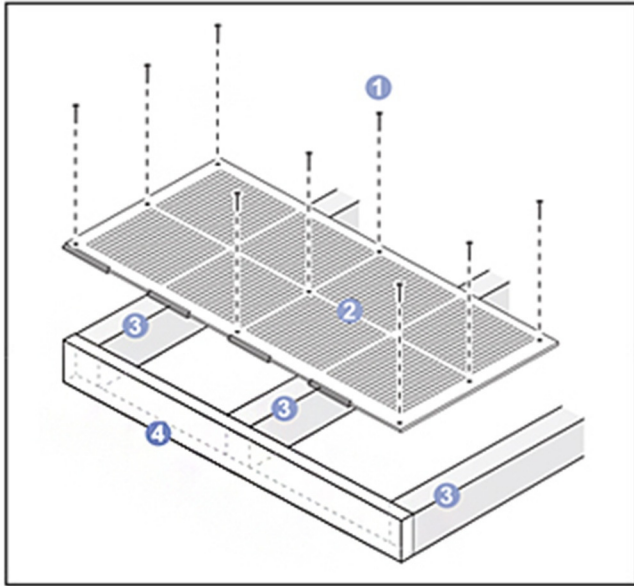
(1) 24"x48" Panels,



Side x Side

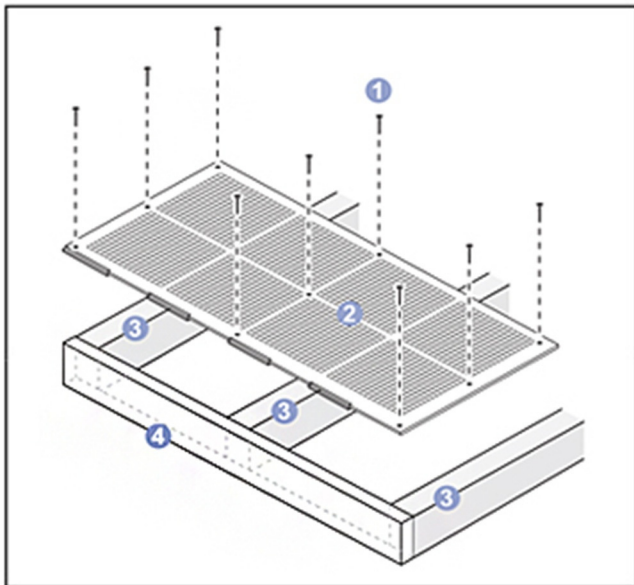
5' Wide Bench

(1) 36" and (1) 24" Panel,



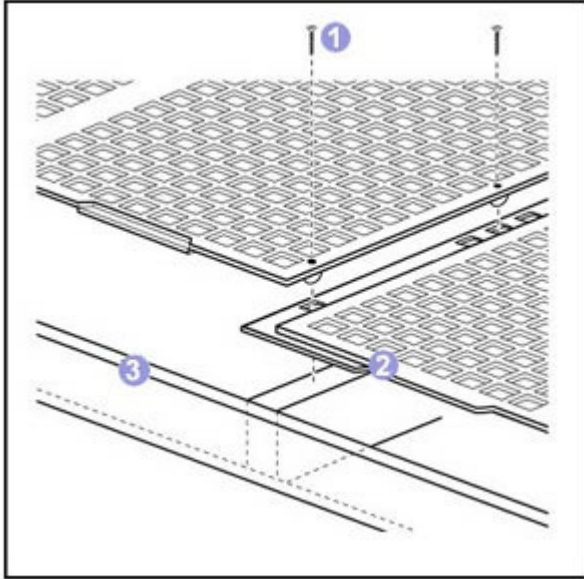
DURA-SLAT 4'x14' Wooden Poultry Frame Assembly With One Center

- 1) #10 2" Stainless Steel Phillips Head Wood Screws (9 screws / slat)
- 2) DURA-SLAT Plastic Poultry Flooring 24"x48" Slat
- 3) Sides and Center Brace – 2" x 6" Pressure Treated Lumber
- 4) End Caps -1" x 6" Pressure Treated Lumber



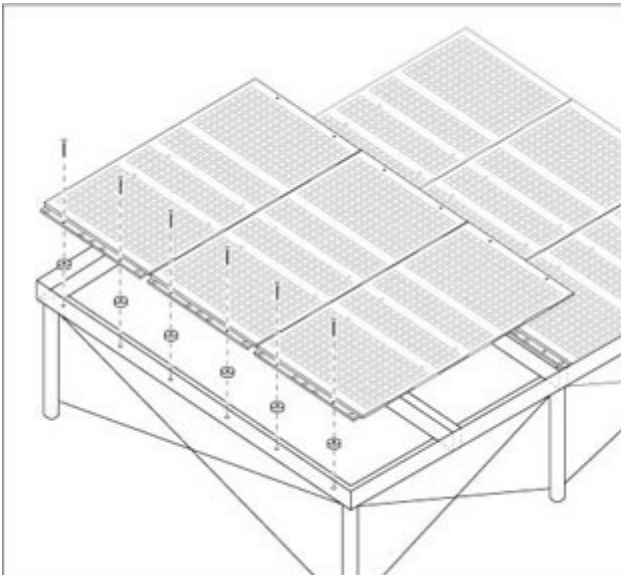
DURA-SLAT 4'x14' Wooden Poultry Frame Assembly With One Center Brace – 7 Pcs / Frame

- 1) #10 2" Stainless Steel Phillips Head Wood Screws (9 screws / slat)



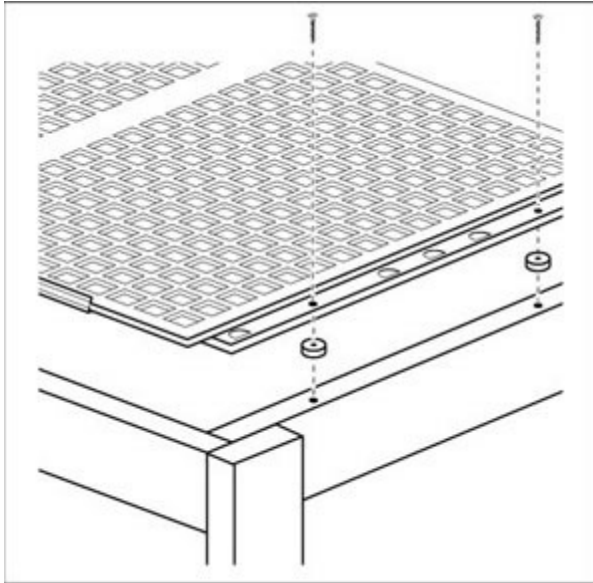
DURA-BENCH ASSEMBLY: WOOD

- 1) #10 2" Stainless Steel Phillips Head Wood Screws
- 2) **DURA-BENCH** Plastic Greenhouse Bench Top
- 3) 4' x 8' Wooden Greenhouse Table made from 2" x 6" Pressure Treated Lumber
- 4) 3/8" x 4" Stainless Steel Hex Head Bolts, Carriage Bolts, 3/8" Hex Nut, and 3/8" Washer



6' X 8' BENCH OVERLAP DESIGN: METAL

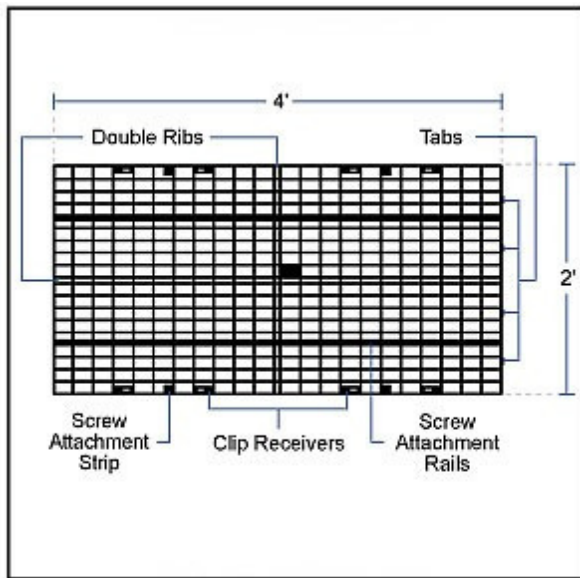
Use Poly Spacers at Front Edge of the Bench Only



DURA-BENCH OVERLAP END: WOOD

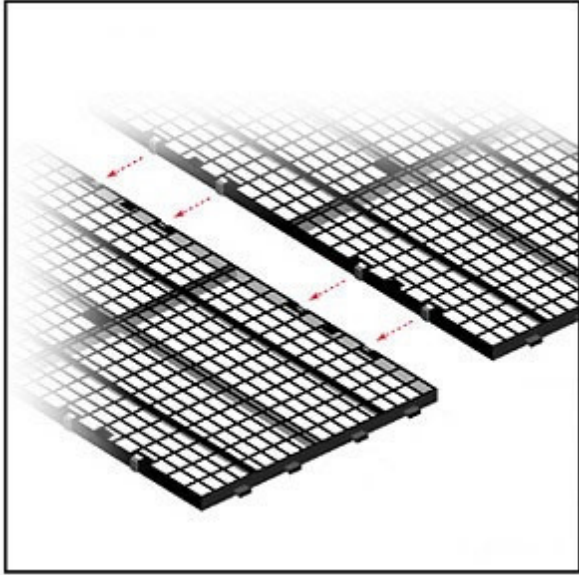
Use two Poly Spacers per 2' wide **DURA-BENCH** panel to attach the panels firmly to the bench substructure

DURA-BENCH Ultra



Panel: Overhead View

2' x 4' Dura-Bench Ultra panel, overhead view



Side-By-Side Assembly